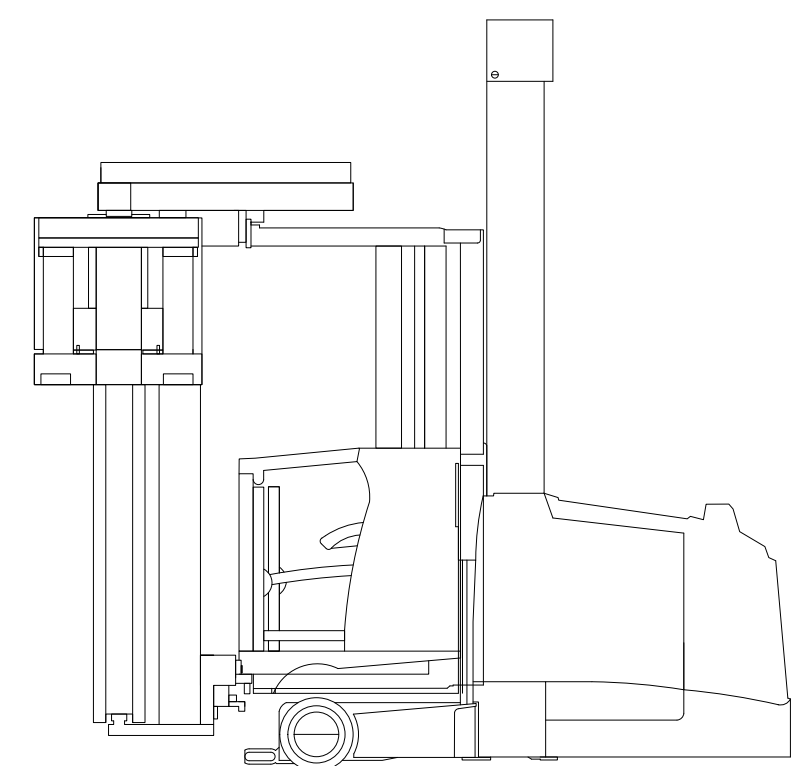


VNA - 6' AISLE
 BAY COUNT - 431
 PALLET POSITIONS: 4,289

TURRET FORKLIFT

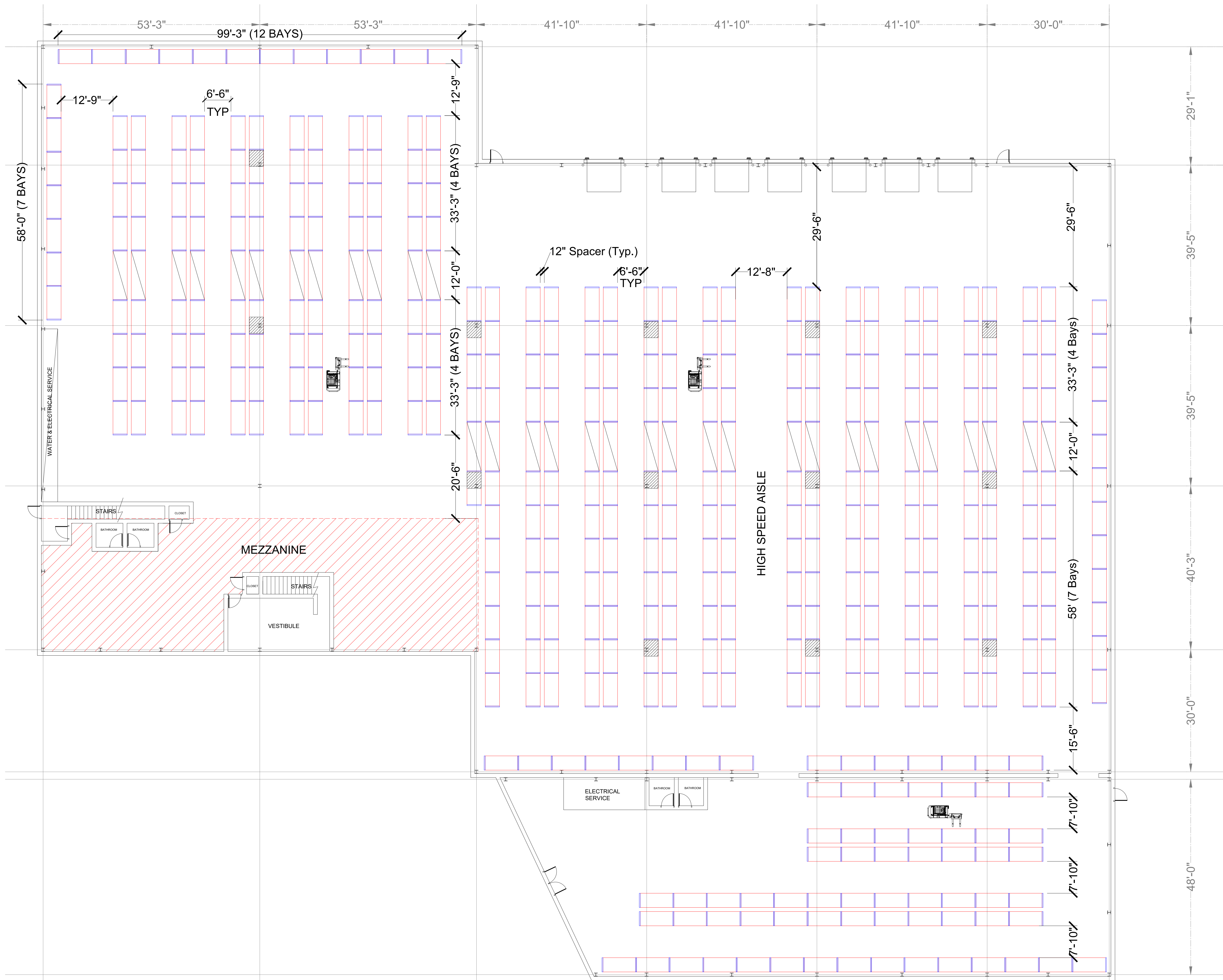


3			
2			
1			
0			
NO.	DATE	REVISION	BY

TEAM RESOURCES
 36 WHELAN RD. E. RUTHERFORD, NJ
 RACKING LAYOUT
 PLAN VIEW

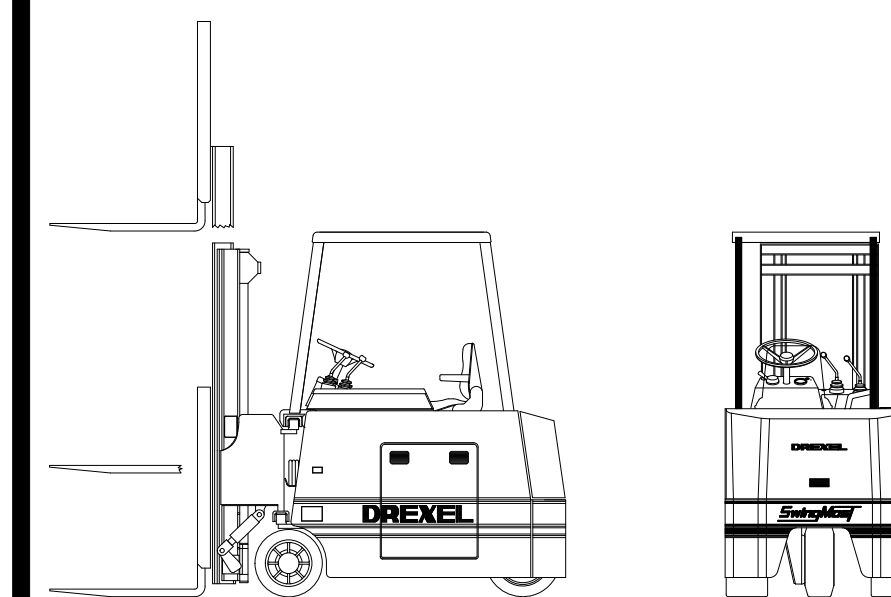


DRAWN BY:	J.P.	REVISION:	
DATE:	6/16/2020		
SCALE:	NTS		R00
CHECKED BY:			
JOB ID:			



6'-6" AISLE
 BAY COUNT - 448
 PALLET POSITIONS: 4,383

DREXEL FORKLIFT

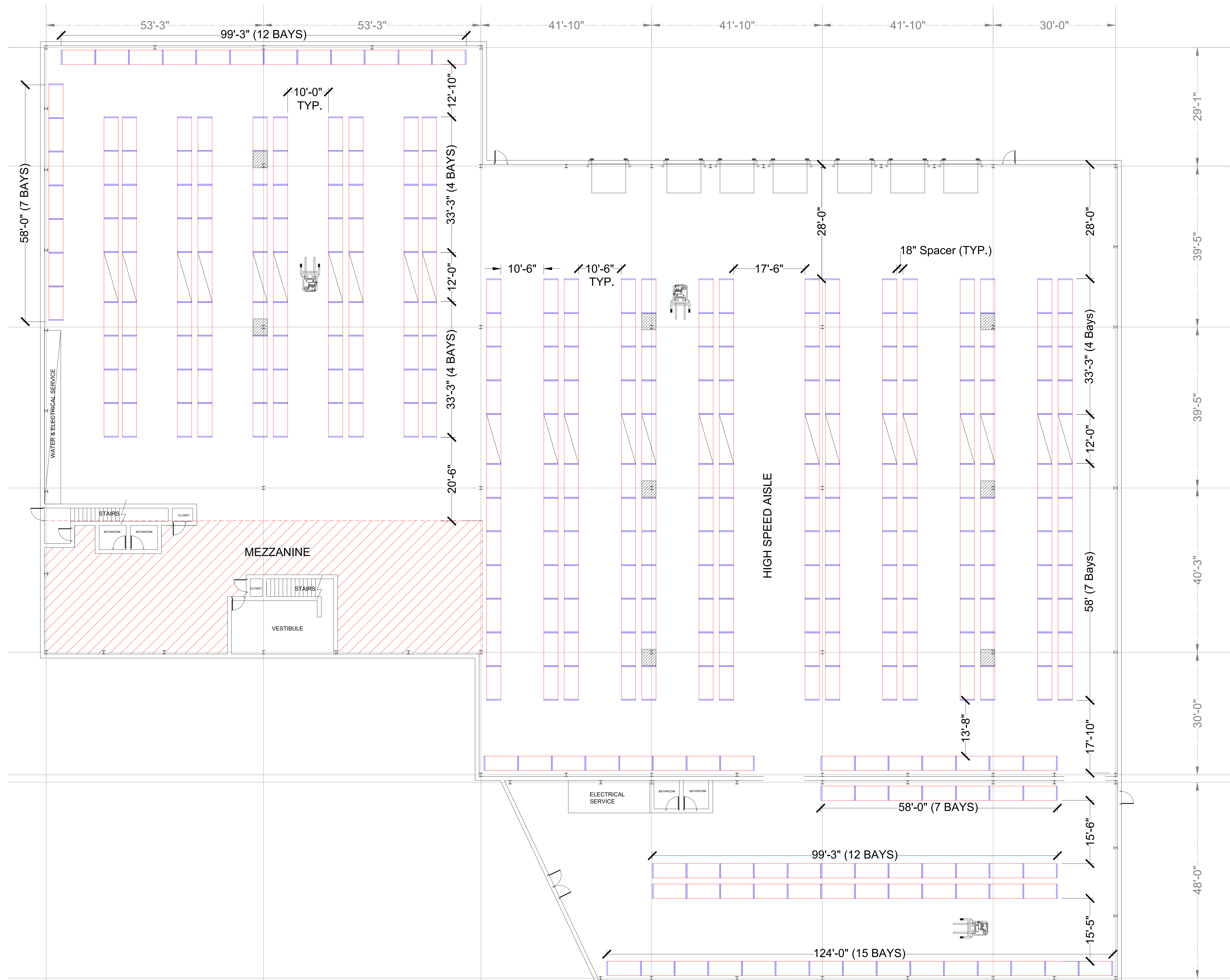


3			
2			
1			
0			
NO.	DATE	REVISION	BY

TEAM RESOURCES
 36 WHELAN RD. E. RUTHERFORD, NJ
RACKING LAYOUT
 PLAN VIEW

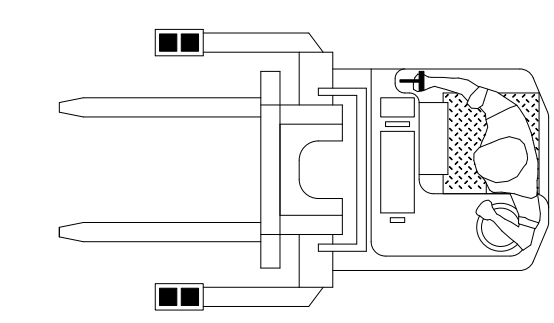


DRAWN BY:	J.P.	REVISION:	
DATE:	6/16/2020		
SCALE:	NTS		R00
CHECKED BY:			
JOB ID:			



10" AISLE
 BAY COUNT - 350
 PALLET POSITIONS: 3,435

REACH TRUCK

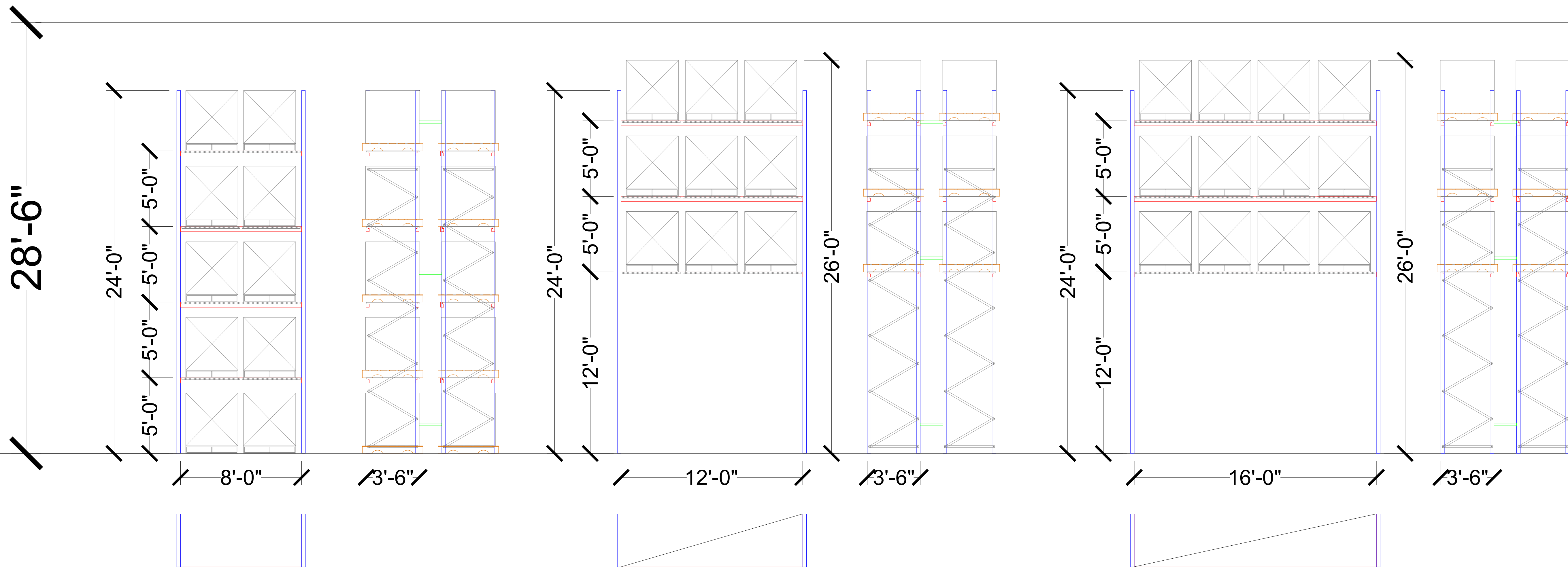


3			
2			
1			
0			
NO.	DATE	REVISION	BY

TEAM RESOURCES
 36 WHELAN RD. E. RUTHERFORD, NJ
 RACKING LAYOUT
 PLAN VIEW



DRAWN BY:	J.P.	REVISION:	
DATE:	6/16/2020		
SCALE:	NTS		R00
CHECKED BY:			
JOB ID:			



3			
2			
1			
0			
NO.	DATE	REVISION	BY

TEAM RESOURCES
 36 WHELAN RD. E. RUTHERFORD, NJ
 RACKING LAYOUT
 ELEVATION VIEW



DRAWN BY:	J.P.	REVISION:	
DATE:	6/16/2020		
SCALE:	NTS		R00
CHECKED BY:			
JOB ID:			